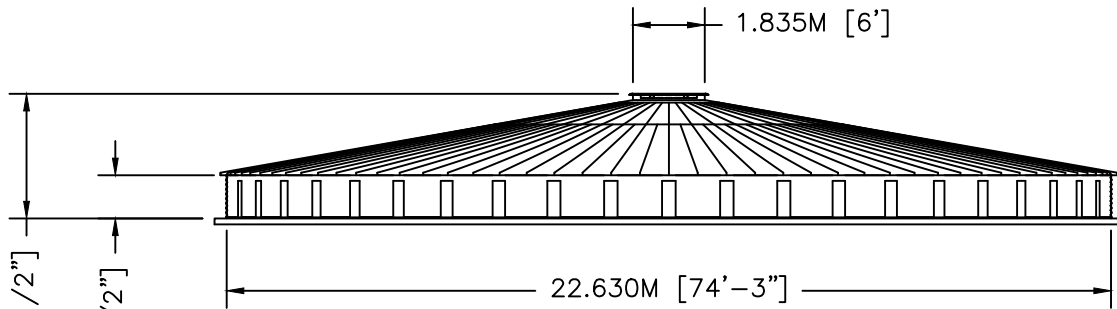


PLAN



ELEVATION

STEEL CORE TANK, LLC.
WWW.STEELCORETANK.COM
 (844) 225-0881

	BY	DATE
DWN	XXX	XX/XX/XX
CKD		
ENG		

TITLE STEELCORE WATER TANK SCT-7401-LJR
 WTU24-01 72"PR 30DEG J-RIB
 NOMINAL CAPACITY - 296.273 M3 [78,267 GAL]
 DWG. NO. SCT7401-LJR WTU24-01 REV. NO.

THIS DRAWINGS DEPICTED ON THIS PRINT AND INFORMATION CONTAINED HEREIN ARE PROPRIETARY TO STEEL CORE TANK, LLC. AND SHALL NOT BE USED IN WHOLE OR PART WITHOUT WRITTEN CONSENT OF STEEL CORE TANK, LLC. 2015

SIZE: A SCALE: 1/16"=1'-0" SHEET 1 OF 1