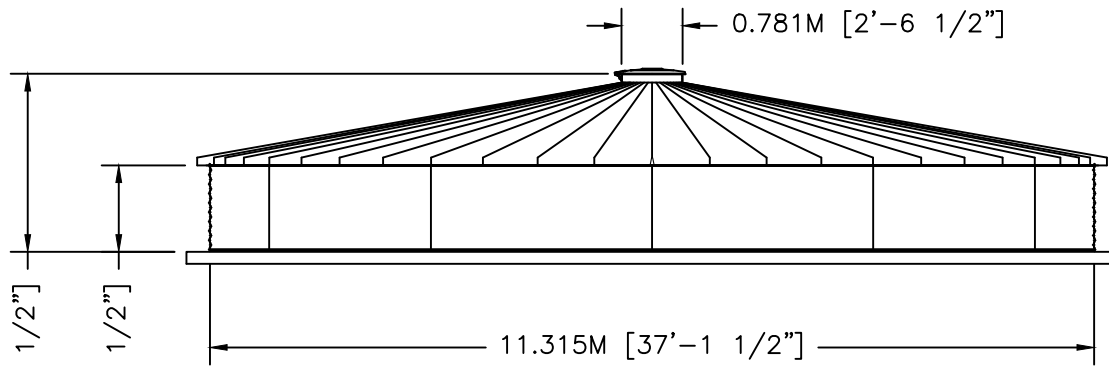


**PLAN**



**ELEVATION**

**STEEL CORE TANK, LLC.**  
[WWW.STEELCORETANK.COM](http://WWW.STEELCORETANK.COM)  
 (844) 225-0881

	BY	DATE
DWN	XXX	XX/XX/XX
CKD		
ENG		

TITLE STEELCORE WATER TANK SCT-3701-LVR  
 WTU12-01 30"PR 10DEG V-RIB  
 NOMINAL CAPACITY - 98.33 M3 [25,977 GAL]

DWG. NO.	SCT3701-LVR WTU12-01	REV. NO.	
SIZE:	SCALE:	SHEET	OF
A	1/8"=1'-0"	1	1

THIS DRAWINGS DEPICTED ON THIS PRINT AND INFORMATION CONTAINED HEREIN ARE PROPRIETARY TO STEEL CORE TANK, LLC. AND SHALL NOT BE USED IN WHOLE OR PART WITHOUT WRITTEN CONSENT OF STEEL CORE TANK, LLC. 2016