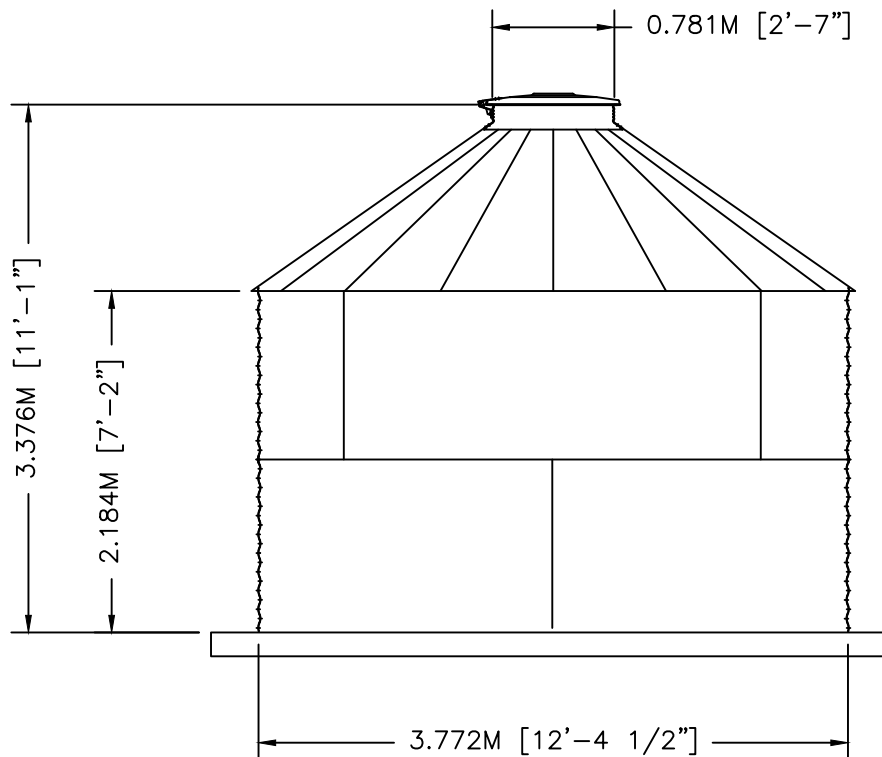


PLAN



ELEVATION

**STEEL CORE TANK, LLC.**  
**WWW.STEELCORETANK.COM**  
**(844) 225-0881**

|     | BY  | DATE     |
|-----|-----|----------|
| DWN | XXX | XX/XX/XX |
| CKD |     |          |
| ENG |     |          |

TITLE STEELCORE WATER TANK SCT-1202-VR  
 WTU04-02 30"PR 30DEG V-RIB  
 NOMINAL CAPACITY - 22.985 M3 [6,072 GAL]  
 DWG. NO. SCT1202-VR WTU04-02 REV. NO.

THIS DRAWINGS DEPICTED ON THIS PRINT AND INFORMATION CONTAINED HEREIN ARE PROPRIETARY TO STEEL CORE TANK, LLC. AND SHALL NOT BE USED IN WHOLE OR PART WITHOUT WRITTEN CONSENT OF STEEL CORE TANK, LLC. 2015

SIZE: A SCALE: 1/4"=1'-0" SHEET 1 OF 1